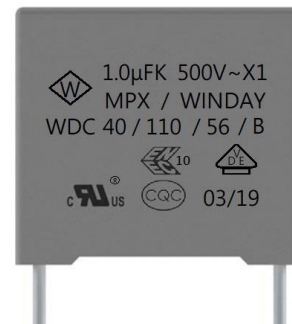
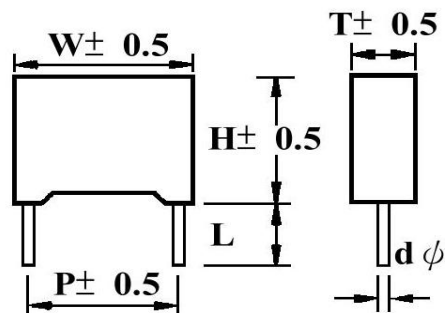


## 金屬化聚丙烯膜抗干擾電容器 SWX1 series

### ■ 外觀圖 Outline Drawing



### ■ 主要用途

適用於高頻·直流·交流·耦合·跨接脈衝電路中。

### ■ 特點

能承受過壓沖擊

優異的阻燃性能

塑料外殼(UL94 V-0),阻燃環氧樹脂填充

### ■ 結構組合

介質: 聚丙烯膜

電極: 金屬蒸鍍層 (鋅鋁合成加厚型)

外殼: 阻燃 PBT 塑殼 (UL94 V-0)

封裝: 阻燃環氧樹脂 (UL94 V-0)

導線: 鍍錫銅包鋼線

### ■ 安全認證 Safety Approvals

### ■ Typical Applications

Widely used in high frequency, DC, AC and pulse circuits .

S-correction circuits for TV sets and monitors

### ■ Features

Withstanding overvoltage stressing

Excellent passive flame resistant abilities

Plastic case (UL94 V-0), Epoxy resin sealing

### ■ Construction




Dielectric: Polypropylene film

Electrodes: Metal vapor coating(Zn-Al synthetic)

Case: Flame-retardant PBT (UL94 V-0)

Epoxy Resin coating (UL 94 V-0)

Lead: Tinned copper clad steel wire

|                               |                |   |
|-------------------------------|----------------|---|
| UL<br>UL60384-14              | E302125        |  |
| CQC<br>GB/T6346.14-2015       | CQC17001161585 |  |
| VDE/ENEC<br>IEC 60384-14:2013 | 40049581       |  |

## 金屬化聚丙烯膜抗干擾電容器 SWX1 series

### ■ 技術要求 Specifications

|   |   |
|---|---|
| 氣候類別 / 阻燃等級<br>Climatic Category / Passive Flammability Class | 40/110/56/B   |
| 工作溫度範圍<br>Operating Temperature Range                         | -40°C~110°C   |
| 額定電壓<br>Rated Voltage   | 310Vac , 380Vac , 440Vac , 500Vac   |
| 電容量範圍<br>Capacitance Range                                    | 0.001 $\mu$ F(102)~4.7 $\mu$ F(475)   |
| 電容偏差<br>Capacitance Tolerance                                 | $\pm$ 10% (K)   |
| 絕緣電阻<br>Insulation Resistance                                 | $C_R \leq 0.33\mu F$ IR $\geq 15,000M\Omega$<br>$C_R > 0.33\mu F$ IR $\geq 5,000M\Omega/Cap(\mu F)$ |
| 損耗角<br>Dissipation Factor                                     | 0.1% Max, at 1KHz and 25°C  |

### ■ 產品編碼說明 Product code system

19位產品代碼如下:



|           |   |                |                         |
|-----------|---|----------------|-------------------------|
| 第 1~4 碼   | 薄膜電容器系列代碼<br>SWX1 = Interference Suppressors Class-X1 | Digit 1 to 4   | Series code             |
| 第 5 碼     | 內部使用  | Digit 5        | Internal use            |
| 第 6~8 碼   | 標稱容量描述的三位數代碼<br>103=10000pF=10nF=0.01 $\mu$ F         | Digit 6 to 8   | Rated capacitance value |
| 第 9 碼     | 容量偏差<br>$\pm$ 10% (K) , $\pm$ 20% (M)                 | Digit 9        | Capacitance tolerance   |
| 第 10~13 碼 | 殼體型號  | Digit 10 to 13 | Case No.                |
| 第 14 碼    | 電壓代碼<br>B= 310V , C=380V , D=440V , E=500V            | Digit 14       | Voltage code            |
| 第 15 碼    | 引線成形<br>Shown as Product code system                  | Digit 15       | Lead forming            |
| 第 16~17 碼 | 引線間距<br>08=7.5mm , 15=15mm , 23=22.5mm                | Digit 16 to 17 | Lead pitch              |
| 第 18~19 碼 | 引線長度<br>04=3.5mm , 06=6mm , 15=15mm                   | Digit 18 to 19 | Lead length             |

Metallized Polypropylene Film  
EMI Suppression Capacitor Class-X1



■ 外型尺寸表 Dimensions (mm)

| 310Vac/380Vac |    |    |   |    |     |                     |
|---------------|----|----|---|----|-----|---------------------|
| 容量<br>uF      | W  | H  | T | P  | d   | 產品代碼<br>Part number |
| 0.010         | 13 | 9  | 4 | 10 | 0.6 | SWX1_103KC1XX+*10** |
| 0.012         | 13 | 9  | 4 | 10 | 0.6 | SWX1_123KC1XX+*10** |
| 0.015         | 13 | 9  | 4 | 10 | 0.6 | SWX1_153KC1XX+*10** |
| 0.018         | 13 | 11 | 5 | 10 | 0.6 | SWX1_183KC2X1+*10** |
| 0.022         | 13 | 11 | 5 | 10 | 0.6 | SWX1_223KC2X1+*10** |
| 0.027         | 13 | 11 | 5 | 10 | 0.6 | SWX1_273KC2X1+*10** |
| 0.033         | 13 | 11 | 5 | 10 | 0.6 | SWX1_333KC2X1+*10** |
| 0.039         | 13 | 12 | 6 | 10 | 0.6 | SWX1_393KC3XX+*10** |
| 0.047         | 13 | 12 | 6 | 10 | 0.6 | SWX1_473KC3XX+*10** |
| 0.056         | 13 | 13 | 7 | 10 | 0.6 | SWX1_563KC4LT+*10** |
| 0.068         | 13 | 14 | 8 | 10 | 0.6 | SWX1_683KC5LT+*10** |

| 310Vac/380Vac |    |      |     |    |     |                     |
|---------------|----|------|-----|----|-----|---------------------|
| 容量<br>uF      | W  | H    | T   | P  | d   | 產品代碼<br>Part number |
| 0.010         | 18 | 11   | 5   | 15 | 0.8 | SWX1_103KD1XX+*15** |
| 0.012         | 18 | 11   | 5   | 15 | 0.8 | SWX1_123KD1XX+*15** |
| 0.015         | 18 | 11   | 5   | 15 | 0.8 | SWX1_153KD1XX+*15** |
| 0.018         | 18 | 11   | 5   | 15 | 0.8 | SWX1_183KD1XX+*15** |
| 0.022         | 18 | 11   | 5   | 15 | 0.8 | SWX1_223KD1XX+*15** |
| 0.027         | 18 | 11   | 5   | 15 | 0.8 | SWX1_273KD1XX+*15** |
| 0.033         | 18 | 11   | 5   | 15 | 0.8 | SWX1_333KD1XX+*15** |
| 0.039         | 18 | 11   | 5   | 15 | 0.8 | SWX1_393KD1XX+*15** |
| 0.047         | 18 | 11   | 5   | 15 | 0.8 | SWX1_473KD1XX+*15** |
| 0.056         | 18 | 11   | 5   | 15 | 0.8 | SWX1_563KD1XX+*15** |
| 0.068         | 18 | 12   | 6   | 15 | 0.8 | SWX1_683KD2XX+*15** |
| 0.082         | 18 | 12   | 6   | 15 | 0.8 | SWX1_823KD2XX+*15** |
| 0.10          | 18 | 12   | 6   | 15 | 0.8 | SWX1_104KD2XX+*15** |
| 0.12          | 18 | 13.5 | 7.5 | 15 | 0.8 | SWX1_124KD3XX+*15** |

|      |    |      |      |    |     |                     |
|------|----|------|------|----|-----|---------------------|
| 0.15 | 18 | 14.5 | 8.5  | 15 | 0.8 | SWX1_154KD4XX+*15** |
| 0.18 | 18 | 14.5 | 8.5  | 15 | 0.8 | SWX1_224KD4XX+*15** |
| 0.22 | 18 | 15.5 | 9.5  | 15 | 0.8 | SWX1_224KD5XX+*15** |
| 0.27 | 18 | 19   | 10.8 | 15 | 0.8 | SWX1_274KD7XX+*15** |
| 0.33 | 18 | 19   | 10.8 | 15 | 0.8 | SWX1_334KD7XX+*15** |

| 310Vac/380Vac |      |      |     |      |     |                     |
|---------------|------|------|-----|------|-----|---------------------|
| 容量<br>uF      | W    | H    | T   | P    | d   | 產品代碼<br>Part number |
| 0.039         | 26.5 | 15   | 6   | 22.5 | 0.8 | SWX1_393KE1XX+*23** |
| 0.047         | 26.5 | 15   | 6   | 22.5 | 0.8 | SWX1_473KE1XX+*23** |
| 0.056         | 26.5 | 15   | 6   | 22.5 | 0.8 | SWX1_563KE1XX+*23** |
| 0.068         | 26.5 | 15   | 6   | 22.5 | 0.8 | SWX1_683KE1XX+*23** |
| 0.082         | 26.5 | 15   | 6   | 22.5 | 0.8 | SWX1_823KE1XX+*23** |
| 0.10          | 26.5 | 15   | 6   | 22.5 | 0.8 | SWX1_104KE1XX+*23** |
| 0.12          | 26.5 | 15   | 6   | 22.5 | 0.8 | SWX1_124KE1XX+*23** |
| 0.15          | 26.5 | 15   | 6   | 22.5 | 0.8 | SWX1_154KE1XX+*23** |
| 0.18          | 26.5 | 15   | 6   | 22.5 | 0.8 | SWX1_184KE1XX+*23** |
| 0.22          | 26.5 | 16   | 7   | 22.5 | 0.8 | SWX1_224KE2XX+*23** |
| 0.27          | 26.5 | 16   | 7   | 22.5 | 0.8 | SWX1_274KE2XX+*23** |
| 0.33          | 26.5 | 17   | 8.5 | 22.5 | 0.8 | SWX1_334KE3XX+*23** |
| 0.39          | 26.5 | 19   | 10  | 22.5 | 0.8 | SWX1_394KE4XX+*23** |
| 0.47          | 26.5 | 19   | 10  | 22.5 | 0.8 | SWX1_474KE4XX+*23** |
| 0.56          | 26   | 20   | 11  | 22.5 | 0.8 | SWX1_564KE5XX+*23** |
| 0.68          | 26   | 21.5 | 12  | 22.5 | 0.8 | SWX1_684KE6XX+*23** |
| 0.82          | 26.5 | 23   | 13  | 22.5 | 0.8 | SWX1_824KE7XX+*23** |

\_ = Internal use

+ = Voltage B=310Vac, C=380Vac

\* = Lead forming

\*\* = Lead length

Metallized Polypropylene Film  
EMI Suppression Capacitor Class-X1



■ 外型尺寸表 Dimensions (mm)

| 310Vac/380Vac |      |      |      |      |     |                     |
|---------------|------|------|------|------|-----|---------------------|
| 容量<br>uF      | W    | H    | T    | P    | d   | 產品代碼<br>Part number |
| 0.15          | 32   | 18   | 9    | 27.5 | 0.8 | SMX1_154KF5XX+*28** |
| 0.18          | 32   | 18   | 9    | 27.5 | 0.8 | SMX1_184KF5XX+*28** |
| 0.22          | 32   | 18   | 9    | 27.5 | 0.8 | SMX1_224KF5XX+*28** |
| 0.27          | 32   | 18   | 9    | 27.5 | 0.8 | SMX1_274KF5XX+*28** |
| 0.33          | 32   | 18   | 9    | 27.5 | 0.8 | SMX1_334KF5XX+*28** |
| 0.39          | 32   | 18   | 9    | 27.5 | 0.8 | SMX1_394KF5XX+*28** |
| 0.47          | 32   | 18   | 9    | 27.5 | 0.8 | SMX1_474KF5XX+*28** |
| 0.56          | 31.4 | 19.5 | 10.8 | 27.5 | 0.8 | SMX1_564KF5XX+*28** |
| 0.68          | 31.4 | 19.5 | 10.8 | 27.5 | 0.8 | SMX1_684KF5XX+*28** |
| 0.82          | 31.4 | 19.5 | 10.8 | 27.5 | 0.8 | SMX1_824KF5XX+*28** |
| 1.0           | 31   | 25   | 14   | 27.5 | 0.8 | SMX1_105KF3XX+*28** |
| 1.2           | 32   | 28   | 14   | 27.5 | 0.8 | SMX1_125KF16X+*28** |
| 1.5           | 32   | 28   | 14   | 27.5 | 0.8 | SMX1_155KF16X+*28** |
| 1.8           | 32   | 28   | 18   | 27.5 | 0.8 | SMX1_185KF13X+*28** |
| 2.2           | 32   | 28   | 18   | 27.5 | 0.8 | SMX1_225KF13X+*28** |
| 2.2           | 31   | 33   | 18   | 27.5 | 0.8 | SMX1_225KF12X+*28** |

| 310Vac/380Vac |      |      |      |      |     |                     |
|---------------|------|------|------|------|-----|---------------------|
| 容量<br>uF      | W    | H    | T    | P    | d   | 產品代碼<br>Part number |
| 0.33          | 42.5 | 24   | 13   | 37.5 | 1.0 | SMX1_334KJ8XM+*38** |
| 0.39          | 42.5 | 24   | 13   | 37.5 | 1.0 | SMX1_394KJ8XM+*38** |
| 0.47          | 42.5 | 24   | 13   | 37.5 | 1.0 | SMX1_474KJ8XM+*38** |
| 0.56          | 42.5 | 24   | 13   | 37.5 | 1.0 | SMX1_564KJ8XM+*38** |
| 0.68          | 42.5 | 24   | 13   | 37.5 | 1.0 | SMX1_684KJ8XM+*38** |
| 0.82          | 42.5 | 24   | 13   | 37.5 | 1.0 | SMX1_824KJ8XM+*38** |
| 1.0           | 42.5 | 24   | 13   | 37.5 | 1.0 | SMX1_105KJ8XM+*38** |
| 1.2K          | 42.5 | 24   | 13   | 37.5 | 1.0 | SMX1_125KJ8XM+*38** |
| 1.5           | 42.5 | 24   | 13   | 37.5 | 1.0 | SMX1_155KJ8XM+*38** |
| 1.8           | 42.5 | 24   | 13   | 37.5 | 1.0 | SMX1_185KJ8XM+*38** |
| 2.2           | 41.5 | 34   | 20.5 | 37.5 | 1.0 | SMX1_225KJ15L+*38** |
| 2.7           | 41.5 | 34   | 20.5 | 37.5 | 1.0 | SMX1_275KJ15L+*38** |
| 3.3           | 41.5 | 34   | 20.5 | 37.5 | 1.0 | SMX1_335KJ15L+*38** |
| 3.9           | 41.5 | 35.5 | 22.5 | 37.5 | 1.0 | SMX1_395KJ20L+*38** |
| 4.7           | 41.5 | 35.5 | 22.5 | 37.5 | 1.0 | SMX1_475KJ20L+*38** |

\_ = Internal use

+ = Voltage B=310Vac, C=380Vac

\* = Lead forming

\*\* = Lead length

Metallized Polypropylene Film  
EMI Suppression Capacitor Class-X1



■ 外型尺寸表 Dimensions (mm)

| 440Vac/500Vac |    |    |   |     |     |                     |
|---------------|----|----|---|-----|-----|---------------------|
| 容量<br>uF      | W  | H  | T | P   | d   | 產品代碼<br>Part number |
| 0.0010        | 10 | 9  | 4 | 7.5 | 0.6 | SWX1_102KB3LT+*08** |
| 0.0012        | 10 | 9  | 4 | 7.5 | 0.6 | SWX1_122KB3LT+*08** |
| 0.0015        | 10 | 9  | 4 | 7.5 | 0.6 | SWX1_152KB3LT+*08** |
| 0.0018        | 10 | 9  | 4 | 7.5 | 0.6 | SWX1_182KB3LT+*08** |
| 0.0022        | 10 | 9  | 4 | 7.5 | 0.6 | SWX1_222KB3LT+*08** |
| 0.0027        | 10 | 9  | 4 | 7.5 | 0.6 | SWX1_272KB3LT+*08** |
| 0.0033        | 10 | 9  | 4 | 7.5 | 0.6 | SWX1_332KB3LT+*08** |
| 0.0039        | 10 | 9  | 4 | 7.5 | 0.6 | SWX1_392KB3LT+*08** |
| 0.0047        | 10 | 9  | 4 | 7.5 | 0.6 | SWX1_472KB3LT+*08** |
| 0.0056        | 10 | 9  | 4 | 7.5 | 0.6 | SWX1_562KB3LT+*08** |
| 0.0068        | 10 | 11 | 5 | 7.5 | 0.6 | SWX1_682KB4LT+*08** |
| 0.0082        | 10 | 11 | 5 | 7.5 | 0.6 | SWX1_822KB4LT+*08** |
| 0.010         | 10 | 11 | 5 | 7.5 | 0.6 | SWX1_103KB4LT+*08** |
| 0.012         | 10 | 12 | 6 | 7.5 | 0.6 | SWX1_123KB5LT+*08** |

| 440Vac/500Vac |    |   |   |    |     |                     |
|---------------|----|---|---|----|-----|---------------------|
| 容量<br>uF      | W  | H | T | P  | d   | 產品代碼<br>Part number |
| 0.0010        | 13 | 9 | 4 | 10 | 0.6 | SWX1_103KC1XX+*10** |
| 0.0012        | 13 | 9 | 4 | 10 | 0.6 | SWX1_123KC1XX+*10** |
| 0.0015        | 13 | 9 | 4 | 10 | 0.6 | SWX1_153KC1XX+*10** |
| 0.0018        | 13 | 9 | 4 | 10 | 0.6 | SWX1_183KC1XX+*10** |
| 0.0022        | 13 | 9 | 4 | 10 | 0.6 | SWX1_223KC1XX+*10** |
| 0.0027        | 13 | 9 | 4 | 10 | 0.6 | SWX1_273KC1XX+*10** |
| 0.0033        | 13 | 9 | 4 | 10 | 0.6 | SWX1_333KC1XX+*10** |
| 0.0039        | 13 | 9 | 4 | 10 | 0.6 | SWX1_393KC1XX+*10** |
| 0.0047        | 13 | 9 | 4 | 10 | 0.6 | SWX1_473KC1XX+*10** |
| 0.0056        | 13 | 9 | 4 | 10 | 0.6 | SWX1_563KC1XX+*10** |
| 0.0068        | 13 | 9 | 4 | 10 | 0.6 | SWX1_683KC1XX+*10** |
| 0.0082        | 13 | 9 | 4 | 10 | 0.6 | SWX1_823KC1XX+*10** |
| 0.010         | 13 | 9 | 4 | 10 | 0.6 | SWX1_104KC1XX+*10** |

|       |    |    |   |    |     |                     |
|-------|----|----|---|----|-----|---------------------|
| 0.012 | 13 | 11 | 5 | 10 | 0.6 | SWX1_123KC2X1+*10** |
| 0.015 | 13 | 11 | 5 | 10 | 0.6 | SWX1_153KC2X1+*10** |
| 0.018 | 13 | 11 | 5 | 10 | 0.6 | SWX1_183KC2X1+*10** |
| 0.022 | 13 | 11 | 5 | 10 | 0.6 | SWX1_223KC2X1+*10** |
| 0.027 | 13 | 12 | 6 | 10 | 0.6 | SWX1_273KC3XX+*10** |
| 0.033 | 13 | 12 | 6 | 10 | 0.6 | SWX1_333KC3XX+*10** |
| 0.039 | 13 | 13 | 7 | 10 | 0.6 | SWX1_393KC4LT+*10** |
| 0.047 | 13 | 14 | 8 | 10 | 0.6 | SWX1_473KC5LT+*10** |
| 0.056 | 13 | 14 | 8 | 10 | 0.6 | SWX1_563KC5LT+*10** |

| 440Vac/500Vac |    |      |      |    |     |                     |
|---------------|----|------|------|----|-----|---------------------|
| 容量<br>uF      | W  | H    | T    | P  | d   | 產品代碼<br>Part number |
| 0.010         | 18 | 10   | 5    | 15 | 0.8 | SWX1_103KD1X2+*15** |
| 0.012         | 18 | 10   | 5    | 15 | 0.8 | SWX1_123KD1X2+*15** |
| 0.015         | 18 | 10   | 5    | 15 | 0.8 | SWX1_153KD1X2+*15** |
| 0.018         | 18 | 10   | 5    | 15 | 0.8 | SWX1_183KD1X2+*15** |
| 0.022         | 18 | 10   | 5    | 15 | 0.8 | SWX1_223KD1X2+*15** |
| 0.027         | 18 | 11   | 5    | 15 | 0.8 | SWX1_273KD1XX+*15** |
| 0.033         | 18 | 11   | 5    | 15 | 0.8 | SWX1_333KD1XX+*15** |
| 0.039         | 18 | 12   | 6    | 15 | 0.8 | SWX1_393KD2XX+*15** |
| 0.047         | 18 | 12   | 6    | 15 | 0.8 | SWX1_473KD2XX+*15** |
| 0.056         | 18 | 13.5 | 7.5  | 15 | 0.8 | SWX1_563KD3XX+*15** |
| 0.068         | 18 | 13.5 | 7.5  | 15 | 0.8 | SWX1_683KD3XX+*15** |
| 0.082         | 18 | 14.5 | 8.5  | 15 | 0.8 | SWX1_823KD4XX+*15** |
| 0.10          | 18 | 14.5 | 8.5  | 15 | 0.8 | SWX1_104KD4XX+*15** |
| 0.12          | 18 | 16   | 10.3 | 15 | 0.8 | SWX1_124KD6XX+*15** |
| 0.15          | 18 | 19   | 10.8 | 15 | 0.8 | SWX1_154KD7XX+*15** |
| 0.18          | 18 | 19   | 10.8 | 15 | 0.8 | SWX1_184KD7XX+*15** |

\_ = Internal use

+ = Voltage D=440Vac, E=500Vac

\* = Lead forming

\*\* = Lead length

Metallized Polypropylene Film  
EMI Suppression Capacitor Class-X1



■ 外型尺寸表 Dimensions (mm)

| 440Vac/500Vac |      |      |     |      |     |                     |
|---------------|------|------|-----|------|-----|---------------------|
| 容量<br>uF      | W    | H    | T   | P    | d   | 產品代碼<br>Part number |
| 0.039         | 26.5 | 15   | 6   | 22.5 | 0.8 | SWX1_393KE1XX+*23** |
| 0.047         | 26.5 | 15   | 6   | 22.5 | 0.8 | SWX1_473KE1XX+*23** |
| 0.056         | 26.5 | 15   | 6   | 22.5 | 0.8 | SWX1_563KE1XX+*23** |
| 0.068         | 26.5 | 15   | 6   | 22.5 | 0.8 | SWX1_683KE1XX+*23** |
| 0.082         | 26.5 | 15   | 6   | 22.5 | 0.8 | SWX1_823KE1XX+*23** |
| 0.10          | 26.5 | 15   | 6   | 22.5 | 0.8 | SWX1_104KE1XX+*23** |
| 0.12          | 26.5 | 15   | 6   | 22.5 | 0.8 | SWX1_124KE1XX+*23** |
| 0.15          | 26.5 | 16.5 | 7   | 22.5 | 0.8 | SWX1_154KE2XX+*23** |
| 0.18          | 26.5 | 17   | 8.5 | 22.5 | 0.8 | SWX1_184KE3XX+*23** |
| 0.22          | 26.5 | 17   | 8.5 | 22.5 | 0.8 | SWX1_224KE3XX+*23** |
| 0.27          | 26.5 | 19   | 10  | 22.5 | 0.8 | SWX1_274KE4XX+*23** |
| 0.33          | 26   | 20   | 11  | 22.5 | 0.8 | SWX1_334KE5XX+*23** |
| 0.39          | 26   | 20   | 11  | 22.5 | 0.8 | SWX1_394KE5XX+*23** |
| 0.47          | 26.5 | 23   | 13  | 22.5 | 0.8 | SWX1_474KE7XX+*23** |
| 0.56          | 26   | 25   | 15  | 22.5 | 0.8 | SWX1_564KE24L+*23** |

| 440Vac/500Vac |      |      |      |      |     |                     |
|---------------|------|------|------|------|-----|---------------------|
| 容量<br>uF      | W    | H    | T    | P    | d   | 產品代碼<br>Part number |
| 0.33          | 42.5 | 24   | 13   | 37.5 | 1.0 | SMX1_334KJ8XM+*38** |
| 0.39          | 42.5 | 24   | 13   | 37.5 | 1.0 | SMX1_394KJ8XM+*38** |
| 0.47          | 42.5 | 24   | 13   | 37.5 | 1.0 | SMX1_474KJ8XM+*38** |
| 0.56          | 42.5 | 24   | 13   | 37.5 | 1.0 | SMX1_564KJ8XM+*38** |
| 0.68          | 42.5 | 24   | 13   | 37.5 | 1.0 | SMX1_684KJ8XM+*38** |
| 0.82          | 42.5 | 24   | 13   | 37.5 | 1.0 | SMX1_824KJ8XM+*38** |
| 1.0           | 42.5 | 24   | 13   | 37.5 | 1.0 | SMX1_105KJ8XM+*38** |
| 1.2           | 42.5 | 24   | 13   | 37.5 | 1.0 | SMX1_125KJ8XM+*38** |
| 1.5           | 41.5 | 30   | 17   | 37.5 | 1.0 | SMX1_155KJ18L+*38** |
| 1.8           | 41.5 | 30   | 17   | 37.5 | 1.0 | SMX1_185KJ18L+*38** |
| 2.2           | 41.5 | 34   | 20.5 | 37.5 | 1.0 | SMX1_225KJ15L+*38** |
| 2.7           | 41.5 | 35.5 | 22.5 | 37.5 | 1.0 | SMX1_275KJ20L+*38** |
| 3.3           | 41.5 | 41   | 27.5 | 37.5 | 1.0 | SMX1_335KJ16L+*38** |
| 3.9           | 41.5 | 41   | 27.5 | 37.5 | 1.0 | SMX1_395KJ16L+*38** |
| 4.7           | 41.5 | 41   | 27.5 | 37.5 | 1.0 | SMX1_475KJ16L+*38** |

| 440Vac/500Vac |      |      |      |      |     |                     |
|---------------|------|------|------|------|-----|---------------------|
| 容量<br>uF      | W    | H    | T    | P    | d   | 產品代碼<br>Part number |
| 0.15          | 31   | 18   | 9    | 27.5 | 0.8 | SWX1_154KF5XX+*28** |
| 0.18          | 31   | 18   | 9    | 27.5 | 0.8 | SWX1_184KF5XX+*28** |
| 0.22          | 31   | 18   | 9    | 27.5 | 0.8 | SWX1_224KF5XX+*28** |
| 0.27          | 31   | 18   | 9    | 27.5 | 0.8 | SWX1_274KF5XX+*28** |
| 0.33          | 31   | 18   | 9    | 27.5 | 0.8 | SWX1_334KF5XX+*28** |
| 0.39          | 31.4 | 19.5 | 10.8 | 27.5 | 0.8 | SWX1_394KF1XX+*28** |
| 0.47          | 31.4 | 19.5 | 10.8 | 27.5 | 0.8 | SWX1_474KF1XX+*28** |
| 0.56          | 31.5 | 21.6 | 13   | 27.5 | 0.8 | SWX1_564KF2XX+*28** |
| 0.68          | 31   | 25   | 14   | 27.5 | 0.8 | SWX1_564KF3XX+*28** |
| 1.0           | 32   | 25.5 | 16   | 27.5 | 0.8 | SWX1_105KF4XX+*28** |
| 1.2           | 32   | 28   | 18   | 27.5 | 0.8 | SWX1_125KF13X+*28** |
| 1.5           | 31   | 31   | 22   | 27.5 | 0.8 | SWX1_155KF8XX+*28** |

\_ = Internal use

+ = Voltage D=440Vac, E=500Vac

\* = Lead forming

\*\* = Lead length