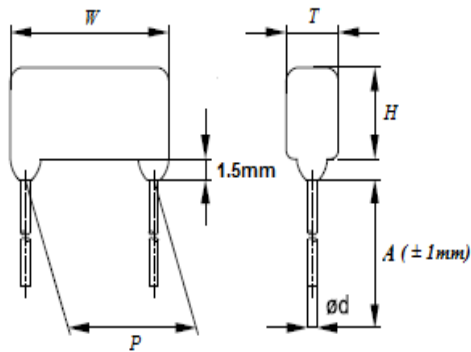


金屬化聚乙酯膜電容器 (浸漬型) SMTE series

■ 外觀圖 Outline Drawing



■ 主要用途:

開關電源, 電子整流器和變頻器等中間電路
直流濾波 (DC-Link, PFC 等)

■ Typical Applications

As intermediate circuit capacitors for SMPS, Electronic Ballast, Inverter (i.e. DC-Link, DC-Filter and P.F.C)

■ 特點:

金屬化聚乙酯薄膜, 無感捲繞結構
體積小, 自愈性好
阻燃性環氧樹脂包封

■ Features

Metalized polyester film, non-inductive wound construction
Small size, and Excellent self-healing property
Flame retardant epoxy resin coating (UL94-0)

a: The SMTE series is only recommended to use in DC-Filter or DC-blocking circuits. It means the voltage applied to the capacitors must be unidirectional ripple voltage. The typical voltage curve is as following reference.

■ 技術要求 Specifications

引用標準 Reference Standard	GB/T 7332 (IEC 60384-2)	
氣候類別 Climatic Category	55/105/21	
工作溫度範圍 Operating Temperature Range	-40°C~+105°C (+85°C to +105°C: decreasing factor 1.25% per °C for UR)	
電容量範圍 Capacitance Range	0.01μF ~ 10μF	
額定電壓 Rated Voltage	250Vdc , 400/450Vdc , 520Vdc , 630Vdc	
電容偏差 Capacitance Tolerance	±5%(J) 、 ±10%(K)	
承受電壓 Voltage Proof	1.5UR (5s)	
損耗角 Dissipation Factor	≤ 1.0% (20°C, 1kHz)	
絕緣電阻 Insulation Resistance	UR ≤	$C_R \leq 0.33\mu F$ IR ≥ 15,000MΩ
	100V	$C_R > 0.33\mu F$ IR ≥ 5,000MΩ/Cap(μF)

Metallized Polyester Film Capacitor
 金屬化聚酯膜電容器 (浸漬型) SMTE series



■ 外型尺寸表 Dimensions (mm)

250Vdc						
容量 μF	W	H	T	P	d	產品代碼 Part number
0.22	10	9.9	4.9	7.5	0.6	SMTE_224+0250D*08**
0.33	10	10.4	5.7	7.5	0.6	SMTE_334+0250D*08**
0.47	10	11.8	6.3	7.5	0.6	SMTE_474+0250D*08**
0.68	10	13.9	6.9	7.5	0.6	SMTE_684+0250D*08**
1.0	10	15.3	8.4	7.5	0.6	SMTE_105+0250D*08**
0.33	12.5	9.0	5.2	10	0.6	SMTE_334+0250D*10**
0.47	12.5	10.8	5.4	10	0.6	SMTE_474+0250D*10**
0.68	12.5	11.7	6.3	10	0.6	SMTE_684+0250D*10**
1.0	12.5	14.4	7.4	10	0.6	SMTE_105+0250D*10**
1.5	12.5	16.9	8.4	10	0.6	SMTE_155+0250D*10**
2.2	12.5	19.7	9.5	10	0.6	SMTE_225+0250D*10**
0.47	17.8	9.3	4.7	15	0.8	SMTE_474+0250D*15**
0.68	17.8	10.0	5.4	15	0.8	SMTE_684+0250D*15**
1.0	17.8	12.0	6.5	15	0.8	SMTE_105+0250D*15**
1.5	17.8	14.2	7.2	15	0.8	SMTE_155+0250D*15**
2.2	17.8	16.6	8.0	15	0.8	SMTE_225+0250D*15**
3.3	17.8	19.3	9.2	15	0.8	SMTE_335+0250D*15**
4.7	17.8	21.2	11.0	15	0.8	SMTE_475+0250D*15**
1.0	25.5	10.9	5.5	22.5	0.8	SMTE_105+0250D*23**
1.5	25.5	12.9	5.9	22.5	0.8	SMTE_155+0250D*23**
2.2	25.5	13.9	6.9	22.5	0.8	SMTE_225+0250D*23**
3.3	25.5	16.4	7.8	22.5	0.8	SMTE_335+0250D*23**
4.7	25.5	18.8	8.7	22.5	0.8	SMTE_475+0250D*23**
6.8	25.5	20.6	10.5	22.5	0.8	SMTE_685+0250D*23**
10	25.5	23.0	12.9	22.5	0.8	SMTE_106+0250D*23**

400/450Vdc						
容量 μF	W	H	T	P	d	產品代碼 Part number
0.047	10	7.1	4.0	7.5	0.6	SMTE_473+0450D*08**
0.068	10	8.0	4.4	7.5	0.6	SMTE_683+0450D*08**
0.10	10	9.7	5.1	7.5	0.6	SMTE_104+0450D*08**
0.15	10	10.6	6.0	7.5	0.6	SMTE_154+0450D*08**
0.10	12.5	9.1	4.4	10	0.6	SMTE_104+0450D*10**
0.15	12.5	9.7	5.1	10	0.6	SMTE_154+0450D*10**
0.22	12.5	11.1	5.7	10	0.6	SMTE_224+0450D*10**
0.33	12.5	13.2	6.2	10	0.6	SMTE_334+0450D*10**
0.47	12.5	15.4	6.8	10	0.6	SMTE_474+0450D*10**
0.68	12.5	16.8	8.2	10	0.8	SMTE_684+0450D*10**
1.0	12.5	19.6	9.4	10	0.8	SMTE_105+0450D*10**
0.22	17.8	10.3	4.9	15	0.8	SMTE_224+0450D*15**
0.33	17.8	11.1	5.7	15	0.8	SMTE_334+0450D*15**
0.47	17.8	13.1	6.1	15	0.8	SMTE_474+0450D*15**
0.68	17.8	15.3	6.8	15	0.8	SMTE_684+0450D*15**
1.0	17.8	17.2	8.7	15	0.8	SMTE_105+0450D*15**
1.5	17.8	20.1	10.0	15	0.8	SMTE_155+0450D*15**
2.2	17.8	22.3	12.2	15	0.8	SMTE_225+0450D*15**
0.47	25.5	11.3	5.9	22.5	0.8	SMTE_474+0450D*23**
0.68	25.5	13.3	6.3	22.5	0.8	SMTE_684+0450D*23**
1.0	25.5	14.4	7.4	22.5	0.8	SMTE_105+0450D*23**
1.5	25.5	16.9	8.3	22.5	0.8	SMTE_155+0450D*23**
2.2	25.5	19.6	9.5	22.5	0.8	SMTE_225+0450D*23**
3.3	25.5	21.8	11.7	22.5	0.8	SMTE_335+0450D*23**

- _ = Internal use
- + = Capacitance tolerance: K=±10%, J=±5%
- * = Lead forming
- ** = Lead length

Metallized Polyester Film Capacitor
 金屬化聚酯膜電容器 (浸漬型) SMTE series



■ 外型尺寸表 Dimensions (mm)

520Vdc						
容量 μF	W	H	T	P	d	產品代碼 Part number
0.022	9.8	7.5	4.0	7.5	0.6	SMTE_223+0520D*08**
0.033	9.8	8.5	4.4	7.5	0.6	SMTE_333+0520D*08**
0.047	9.8	9.6	4.7	7.5	0.6	SMTE_473+0520D*08**
0.068	9.8	10.4	5.4	7.5	0.6	SMTE_683+0520D*08**
0.068	12.5	9.6	4.7	10	0.6	SMTE_683+0520D*10**
0.10	12.5	10.9	5.5	10	0.6	SMTE_104+0520D*10**
0.15	12.5	11.9	6.5	10	0.6	SMTE_154+0520D*10**
0.22	12.5	14.1	7.1	10	0.6	SMTE_224+0520D*10**
0.33	12.5	15.6	8.6	10	0.6	SMTE_334+0520D*10**
0.10	17.8	9.4	4.7	15	0.8	SMTE_104+0520D*15**
0.15	17.8	10.2	5.5	15	0.8	SMTE_154+0520D*15**
0.22	17.8	11.6	6.1	15	0.8	SMTE_224+0520D*15**
0.33	17.8	13.7	6.7	15	0.8	SMTE_334+0520D*15**
0.47	17.8	14.9	7.9	15	0.8	SMTE_474+0520D*15**
0.68	17.8	17.5	8.9	15	0.8	SMTE_684+0520D*15**
1.0	17.8	20.9	10.7	15	0.8	SMTE_105+0520D*15**
1.5	17.8	23.4	13.2	15	0.8	SMTE_155+0520D*15**
0.33	25.5	12.4	5.4	22.5	0.8	SMTE_334+0520D*23**
0.47	25.5	13.3	6.3	22.5	0.8	SMTE_474+0520D*23**
0.68	25.5	15.5	7.0	22.5	0.8	SMTE_684+0520D*23**
1.0	25.5	18.5	8.4	22.5	0.8	SMTE_105+0520D*23**
1.5	25.5	20.4	10.3	22.5	0.8	SMTE_155+0520D*23**
2.2	25.5	22.6	12.5	22.5	0.8	SMTE_225+0520D*23**

630Vdc						
容量 μF	W	H	T	P	d	產品代碼 Part number
0.010	9.8	7.6	4.1	7.5	0.6	SMTE_103+0630D*08**
0.015	9.8	7.6	4.1	7.5	0.6	SMTE_153+0630D*08**
0.022	9.8	8.1	4.6	7.5	0.6	SMTE_223+0630D*08**
0.033	9.8	9.2	5.1	7.5	0.6	SMTE_333+0630D*08**
0.047	9.8	10.5	5.5	7.5	0.6	SMTE_473+0630D*08**
0.068	9.8	11.9	6.2	7.5	0.6	SMTE_683+0630D*08**
0.10	9.8	13.1	7.7	7.5	0.6	SMTE_104+0630D*08**
0.047	12.5	9.6	4.6	10	0.6	SMTE_473+0630D*10**
0.068	12.5	10.3	5.3	10	0.6	SMTE_683+0630D*10**
0.10	12.5	11.2	6.5	10	0.6	SMTE_104+0630D*10**
0.15	12.5	13.9	6.9	10	0.6	SMTE_154+0630D*10**
0.22	12.5	15.3	8.3	10	0.6	SMTE_224+0630D*10**
0.10	17.8	10.6	5.1	15	0.8	SMTE_104+0630D*15**
0.15	17.8	12.5	5.5	15	0.8	SMTE_154+0630D*15**
0.22	17.8	13.5	6.5	15	0.8	SMTE_224+0630D*15**
0.33	17.8	14.8	7.8	15	0.8	SMTE_334+0630D*15**
0.47	17.8	16.3	9.2	15	0.8	SMTE_474+0630D*15**
0.68	17.8	19.1	10.4	15	0.8	SMTE_684+0630D*15**
1.0	17.8	22.8	12.6	15	0.8	SMTE_105+0630D*15**
1.5	17.8	25.8	15.6	15	0.8	SMTE_155+0630D*15**
0.22	25.5	11.2	5.7	22.5	0.8	SMTE_224+0630D*23**
0.33	25.5	12.2	6.7	22.5	0.8	SMTE_334+0630D*23**
0.47	25.5	14.3	7.3	22.5	0.8	SMTE_474+0630D*23**
0.68	25.5	15.7	8.7	22.5	0.8	SMTE_684+0630D*23**
1.0	25.5	20.0	9.8	22.5	0.8	SMTE_105+0630D*23**
1.5	25.5	22.2	12.1	22.5	0.8	SMTE_155+0630D*23**
2.2	25.5	24.9	14.8	22.5	0.8	SMTE_225+0630D*23**

_ = Internal use

+ = Capacitance tolerance: K=±10%, J=±5%

* = Lead forming

** = Lead length