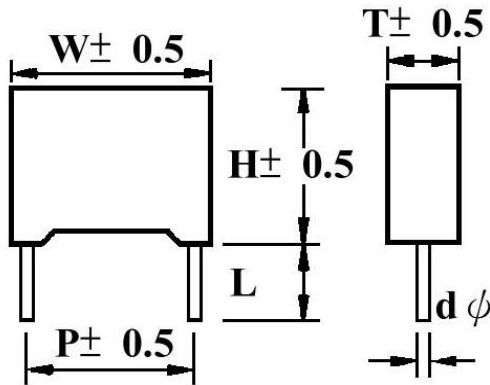


Metallized Polyester Film Capacitor (Boxed)



盒裝金屬化聚乙酯膜電容器 (Pitch=5mm) SMEB series

■ 外觀圖 Outline Drawing



■ 主要用途:

旁路, 隔直, 耦合, 退耦

用於汽車 RFI

脈沖, 邏輯, 定時, 緊湊型節能燈

■ Typical Applications

By-passing, Blocking, Coupling, decoupling

RFI for automotive

Pulse logic, Timing, Compact Fluorescent lamps.

■ 特點:

金屬化聚乙酯膜, 捲繞式結構

塑膠外殼(UL94V-0), 環氧樹脂填充

高脈沖能力

■ Features

Metalized polyester film, Wound construction

Plastic case (UL94V-0), Epoxy resin sealing

High dV/dt ability

■ 技術要求 Specifications

引用標準 Reference Standard	GB/T 7332 (IEC 60384-2)	
氣候類別 Climatic Category	55/125/56	
工作溫度範圍 Operating Temperature Range	-55°C~+125°C (+85°C to +125°C : decreasing factor 1.25% per °C for UR)	
電容量範圍 Capacitance Range	0.001μF ~ 1.0μF	
額定電壓 Rated (DC) Voltage	63Vdc , 100Vdc , 250Vdc , 400Vdc	
額定電壓 Rated (AC) Voltage	40Vac , 63Vac , 160Vac , 200Vac	
電容偏差 Capacitance Tolerance	±5%(J) 、 ±10%(K)	
承受電壓 Voltage Proof	1.5UR (5s)	
損耗角 Dissipation Factor	≤ 1.0% (20°C, 1kHz)	
絕緣電阻 Insulation Resistance	UR ≤ 100V	$C_R \leq 0.33\mu F$ IR ≥ 15,000MΩ $C_R > 0.33\mu F$ IR ≥ 5,000MΩ/Cap(μF)

Metallized Polyester Film Capacitor (Boxed)

盒裝金屬化聚酯膜電容器 SMEB series



■ 外型尺寸表 Dimensions (mm)

63Vdc (40Vac)						
容量 μF	W	H	T	P	d	產品代碼 Part number
0.0010	7.2	6.5	2.5	5.0	0.5	SMEB_102+0063D*05**
0.0015	7.2	6.5	2.5	5.0	0.5	SMEB_152+0063D*05**
0.0022	7.2	6.5	2.5	5.0	0.5	SMEB_222+0063D*05**
0.0027	7.2	6.5	2.5	5.0	0.5	SMEB_272+0063D*05**
0.0033	7.2	6.5	2.5	5.0	0.5	SMEB_332+0063D*05**
0.0039	7.2	6.5	2.5	5.0	0.5	SMEB_392+0063D*05**
0.0047	7.2	6.5	2.5	5.0	0.5	SMEB_472+0063D*05**
0.0068	7.2	6.5	2.5	5.0	0.5	SMEB_682+0063D*05**
0.0082	7.2	6.5	2.5	5.0	0.5	SMEB_822+0063D*05**
0.010	7.2	6.5	2.5	5.0	0.5	SMEB_103+0063D*05**
0.015	7.2	6.5	2.5	5.0	0.5	SMEB_153+0063D*05**
0.022	7.2	6.5	2.5	5.0	0.5	SMEB_223+0063D*05**
0.027	7.2	6.5	2.5	5.0	0.5	SMEB_273+0063D*05**
0.033	7.2	6.5	2.5	5.0	0.5	SMEB_333+0063D*05**
0.047	7.2	6.5	2.5	5.0	0.5	SMEB_473+0063D*05**
0.056	7.2	6.5	2.5	5.0	0.5	SMEB_563+0063D*05**
0.068	7.2	6.5	2.5	5.0	0.5	SMEB_683+0063D*05**
0.082	7.2	6.5	2.5	5.0	0.5	SMEB_823+0063D*05**
0.10	7.2	6.5	2.5	5.0	0.5	SMEB_104+0063D*05**
0.12	7.2	6.5	2.5	5.0	0.5	SMEB_124+0063D*05**
0.15	7.2	7.5	3.5	5.0	0.5	SMEB_154+0063D*05**
0.18	7.2	7.5	3.5	5.0	0.5	SMEB_184+0063D*05**
0.22	7.2	7.5	3.5	5.0	0.5	SMEB_224+0063D*05**
0.27	7.2	7.5	3.5	5.0	0.5	SMEB_274+0063D*05**
0.33	7.2	9.5	4.5	5.0	0.5	SMEB_334+0063D*05**
0.39	7.2	9.5	4.5	5.0	0.5	SMEB_394+0063D*05**
0.47	7.2	9.5	4.5	5.0	0.5	SMEB_474+0063D*05**
0.56	7.2	11	6	5.0	0.5	SMEB_564+0063D*05**
0.68	7.2	11	6	5.0	0.5	SMEB_684+0063D*05**
0.82	7.2	11	6	5.0	0.5	SMEB_824+0063D*05**
1.0	7.2	11	6	5.0	0.5	SMEB_105+0063D*05**

100Vdc (63Vac)						
容量 μF	W	H	T	P	d	產品代碼 Part number
0.0010	7.2	6.5	2.5	5.0	0.5	SMEB_102+0100D*05**
0.0015	7.2	6.5	2.5	5.0	0.5	SMEB_152+0100D*05**
0.0022	7.2	6.5	2.5	5.0	0.5	SMEB_222+0100D*05**
0.0027	7.2	6.5	2.5	5.0	0.5	SMEB_272+0100D*05**
0.0033	7.2	6.5	2.5	5.0	0.5	SMEB_332+0100D*05**
0.0039	7.2	6.5	2.5	5.0	0.5	SMEB_392+0100D*05**
0.0047	7.2	6.5	2.5	5.0	0.5	SMEB_472+0100D*05**
0.0068	7.2	6.5	2.5	5.0	0.5	SMEB_682+0100D*05**
0.0082	7.2	6.5	2.5	5.0	0.5	SMEB_822+0100D*05**
0.010	7.2	6.5	2.5	5.0	0.5	SMEB_103+0100D*05**
0.015	7.2	6.5	2.5	5.0	0.5	SMEB_153+0100D*05**
0.022	7.2	6.5	2.5	5.0	0.5	SMEB_223+0100D*05**
0.027	7.2	6.5	2.5	5.0	0.5	SMEB_273+0100D*05**
0.033	7.2	6.5	2.5	5.0	0.5	SMEB_333+0100D*05**
0.047	7.2	6.5	2.5	5.0	0.5	SMEB_473+0100D*05**
0.056	7.2	6.5	2.5	5.0	0.5	SMEB_563+0100D*05**
0.068	7.2	6.5	2.5	5.0	0.5	SMEB_683+0100D*05**
0.082	7.2	7.5	3.5	5.0	0.5	SMEB_823+0100D*05**
0.10	7.2	7.5	3.5	5.0	0.5	SMEB_104+0100D*05**
0.12	7.2	7.5	3.5	5.0	0.5	SMEB_124+0100D*05**
0.15	7.2	9.5	4.5	5.0	0.5	SMEB_154+0100D*05**
0.18	7.2	9.5	4.5	5.0	0.5	SMEB_184+0100D*05**
0.22	7.2	9.5	4.5	5.0	0.5	SMEB_224+0100D*05**
0.27	7.2	9.5	4.5	5.0	0.5	SMEB_274+0100D*05**
0.33	7.2	11	6	5.0	0.5	SMEB_334+0100D*05**
0.39	7.2	11	6	5.0	0.5	SMEB_394+0100D*05**
0.47	7.2	11	6	5.0	0.5	SMEB_474+0100D*05**
0.56	7.2	11	6	5.0	0.5	SMEB_564+0100D*05**
0.68	7.2	11	6	5.0	0.5	SMEB_684+0100D*05**
0.82	7.2	11	6	5.0	0.5	SMEB_824+0100D*05**
1.0	7.2	11	6	5.0	0.5	SMEB_105+0100D*05**

Metallized Polyester Film Capacitor(Boxed)

盒裝金屬化聚酯膜電容器 SMEB series



■ 外型尺寸表 Dimensions (mm)

250Vdc (160Vac)						
容量 μF	W	H	T	P	d	產品代碼 Part number
0.0010	7.2	6.5	2.5	5.0	0.5	SMEB_102+0250D*05**
0.0015	7.2	6.5	2.5	5.0	0.5	SMEB_152+0250D*05**
0.0022	7.2	6.5	2.5	5.0	0.5	SMEB_222+0250D*05**
0.0027	7.2	6.5	2.5	5.0	0.5	SMEB_272+0250D*05**
0.0033	7.2	6.5	2.5	5.0	0.5	SMEB_332+0250D*05**
0.0039	7.2	6.5	2.5	5.0	0.5	SMEB_392+0250D*05**
0.0047	7.2	6.5	2.5	5.0	0.5	SMEB_472+0250D*05**
0.0068	7.2	6.5	2.5	5.0	0.5	SMEB_682+0250D*05**
0.0082	7.2	6.5	2.5	5.0	0.5	SMEB_822+0250D*05**
0.010	7.2	6.5	2.5	5.0	0.5	SMEB_103+0250D*05**
0.015	7.2	6.5	2.5	5.0	0.5	SMEB_153+0250D*05**
0.022	7.2	6.5	2.5	5.0	0.5	SMEB_223+0250D*05**
0.027	7.2	7.5	3.5	5.0	0.5	SMEB_273+0250D*05**
0.033	7.2	7.5	3.5	5.0	0.5	SMEB_333+0250D*05**
0.047	7.2	7.5	3.5	5.0	0.5	SMEB_473+0250D*05**
0.056	7.2	7.5	3.5	5.0	0.5	SMEB_563+0250D*05**
0.068	7.2	9.5	4.5	5.0	0.5	SMEB_683+0250D*05**
0.082	7.2	9.5	4.5	5.0	0.5	SMEB_823+0250D*05**
0.10	7.2	9.5	4.5	5.0	0.5	SMEB_104+0250D*05**
0.12	7.2	11	6	5.0	0.5	SMEB_124+0250D*05**
0.15	7.2	11	6	5.0	0.5	SMEB_154+0250D*05**
0.18	7.2	11	6	5.0	0.5	SMEB_184+0250D*05**
0.22	7.2	11	6	5.0	0.5	SMEB_224+0250D*05**

400Vdc (200Vac)						
容量 μF	W	H	T	P	d	產品代碼 Part number
0.0010	7.2	6.5	2.5	5.0	0.5	SMEB_102+0400D*05**
0.0015	7.2	6.5	2.5	5.0	0.5	SMEB_152+0400D*05**
0.0022	7.2	6.5	2.5	5.0	0.5	SMEB_222+0400D*05**
0.0027	7.2	6.5	2.5	5.0	0.5	SMEB_272+0400D*05**
0.0033	7.2	6.5	2.5	5.0	0.5	SMEB_332+0400D*05**
0.0039	7.2	6.5	2.5	5.0	0.5	SMEB_392+0400D*05**
0.0047	7.2	6.5	2.5	5.0	0.5	SMEB_472+0400D*05**
0.0068	7.2	7.5	3.5	5.0	0.5	SMEB_682+0400D*05**
0.0082	7.2	7.5	3.5	5.0	0.5	SMEB_822+0400D*05**
0.010	7.2	9.5	4.5	5.0	0.5	SMEB_103+0400D*05**
0.015	7.2	9.5	4.5	5.0	0.5	SMEB_153+0400D*05**
0.022	7.2	9.5	4.5	5.0	0.5	SMEB_223+0400D*05**
0.027	7.2	11	6	5.0	0.5	SMEB_273+0400D*05**
0.033	7.2	11	6	5.0	0.5	SMEB_333+0400D*05**
0.047	7.2	11	6	5.0	0.5	SMEB_473+0400D*05**

_ = Internal use

+ = Capacitance tolerance: K=±10%, J=±5%

* = Lead forming

** = Lead length